

NOTE:
Please read all instructions
carefully before using this
product

Safety Notice

Assembly Instructions

Parts List

Operating Instructions

Warranty

Ordering Parts

Model
TUCS

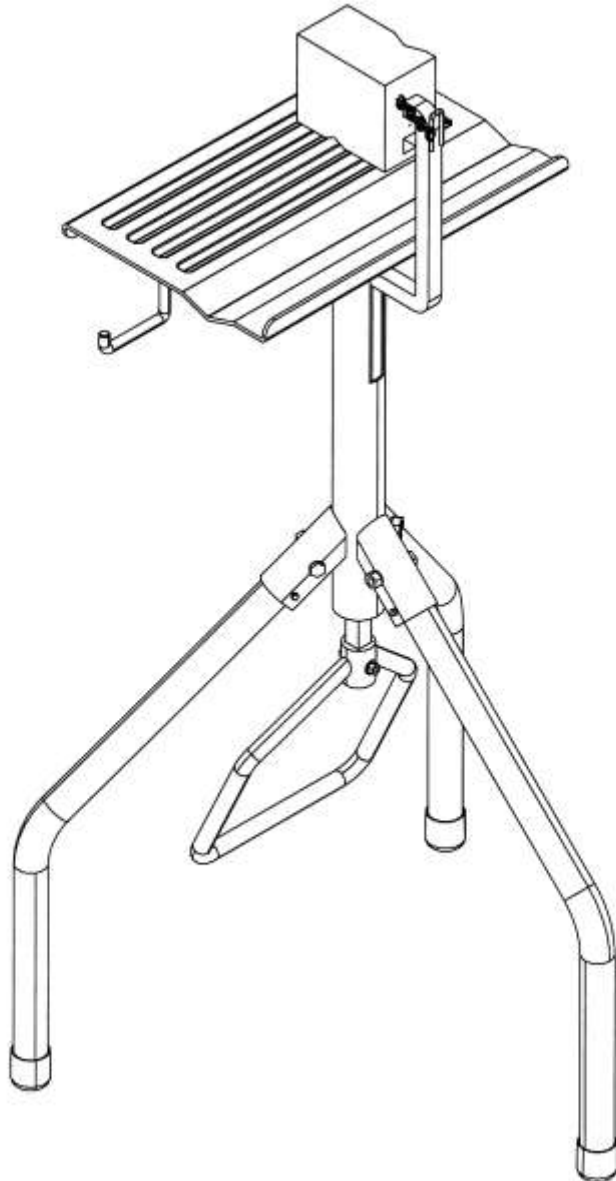
Retain This
Manual for
Reference

01-26-05

OWNER'S
MANUAL

MP EX

THE ULTIMATE CLAMPING STAND



Thank you for selecting “The Ultimate Clamping Stand” by IMPEX Inc. For your safety and benefit, read this manual carefully before using the product. As a manufacturer, we are committed to provide you complete customer satisfaction. If you have any questions, or find there are missing or damaged parts, we guarantee you complete satisfaction through direct assistance from our factory. For any questions, call our customer service department at 1-800-999-8899 Mon. to Fri. 8:30 am to 5:00 pm PST.

IMPORTANT SAFETY NOTICE



Warning: Do not attempt to use this product until you read thoroughly and understand completely the operator’s manual.



Warning: Pay close attention to all safety rules. The operation of any tool can result in foreign objects being thrown into your eyes, which can result in severe eye injury. Always wear safety goggles or safety glasses with side shields and a full-face shield when needed.

“The Ultimate Clamping Stand” has been engineered and manufactured to our high standards for dependability, ease of operation and operator safety. Safe operation of this equipment requires that you read and understand the operator’s manual and only use “The Ultimate Clamping Stand” for the intent it was designed.

1. Place “The Ultimate Clamping Stand” on a firm level surface with plenty of room and insure that it does not rock, slide or move prior to or during usage.
2. Maximum weight and length of material placed on this equipment must be less than 40 lbs and 8’ long.
3. “The Ultimate Clamping Stand” is not recommended for heavy commercial use.
4. Do not relocate “The Ultimate Clamping Stand” while a tool is hanging on the tool hanger.
5. Keep children and pets away from “The Ultimate Clamping Stand” when in use.
6. Keep hands and feet away from any moving parts.
7. Prior to using “The Ultimate Clamping Stand”, always clear the area around the stand of any sharp objects or debris that may interfere with the safe operation of the stand.
8. DO NOT take your foot off the stirrup when an object is on the platform unless you have the object in your grasp.
9. Never operate “The Ultimate Clamping Stand” if it is not functioning properly.
10. When properly cared for, “The Ultimate Clamping Stand” will give you years of rugged, trouble-free performance.

CARE AND MAINTENANCE

1. Inspect and tighten all parts before using the stand.
2. Stand can be cleaned using a damp cloth and mild non-abrasive detergent.
DO NOT use solvents.

Assembly Instructions

Tools required: Two adjustable wrenches

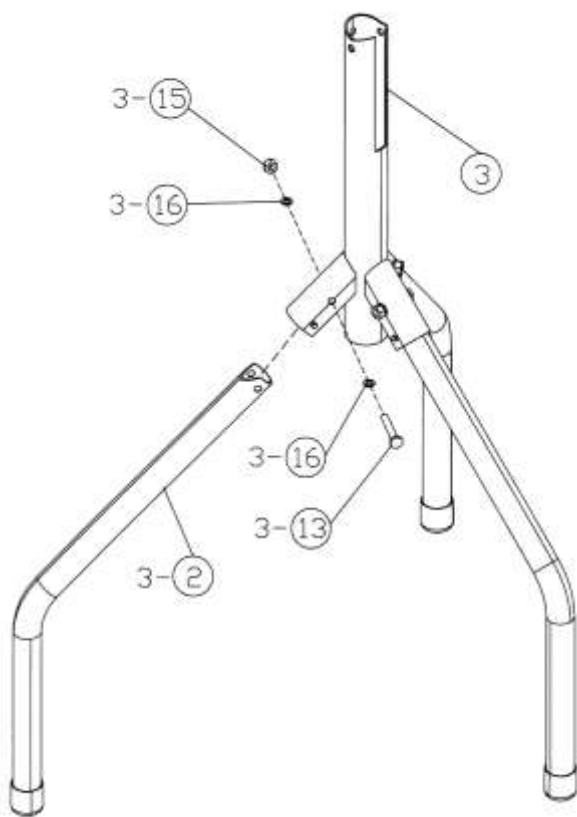


Figure 1

Attach three Legs #2 to the Support Tube #3. Secure them with three M6 x 1 5/8" Bolts #13, six Washers #16, and three Nuts #15.

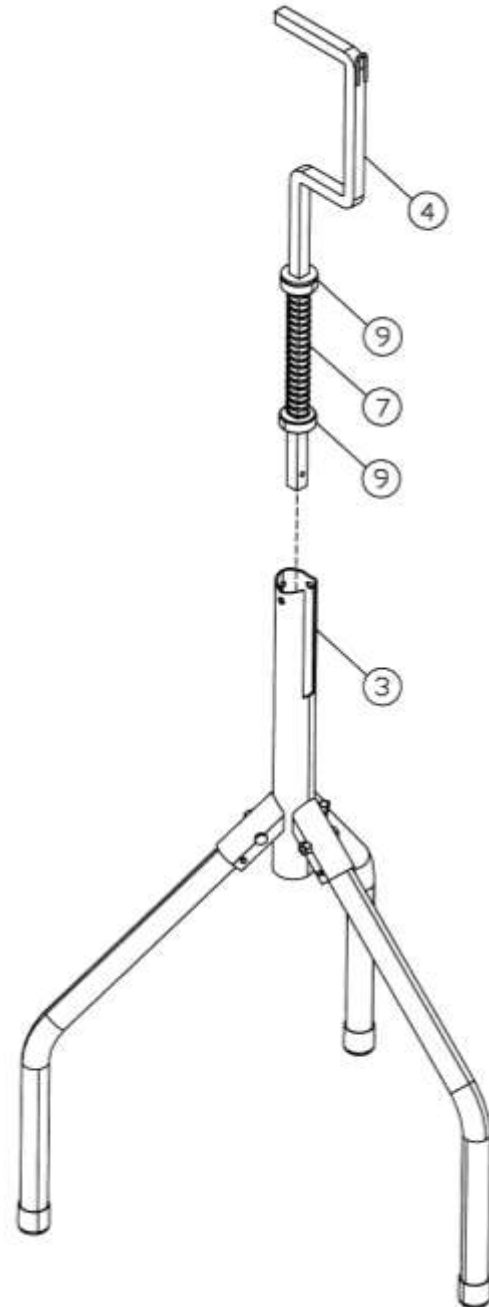


Figure 2

Slide a Rubber Washer #9 onto the Clamping Rod #4 followed by a Spring #7 and another Rubber Washer #9. Lay Support Tube on its side and insert the assembled clamping rod into the Support Tube.

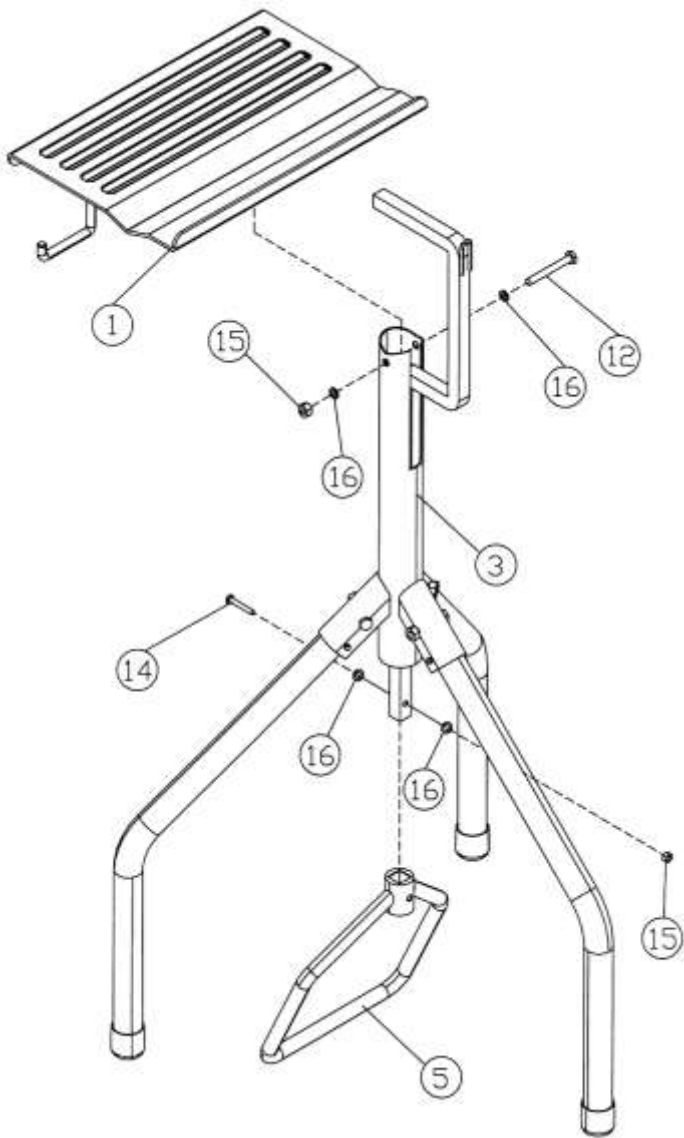


Figure 3

Slide the Stirrup #5 onto the Clamping Rod. Secure it with two Washers #16, one Nut #15, and one M6 x 1 3/8" Bolt #14. Make sure the Stirrup is facing the front of the stand. Attach the Platform #1 onto the Support Tube. Secure it with one M6 x 2" Bolt #12, two Washers #16, and one Nut #15. Tighten all Nuts and Bolts snugly.

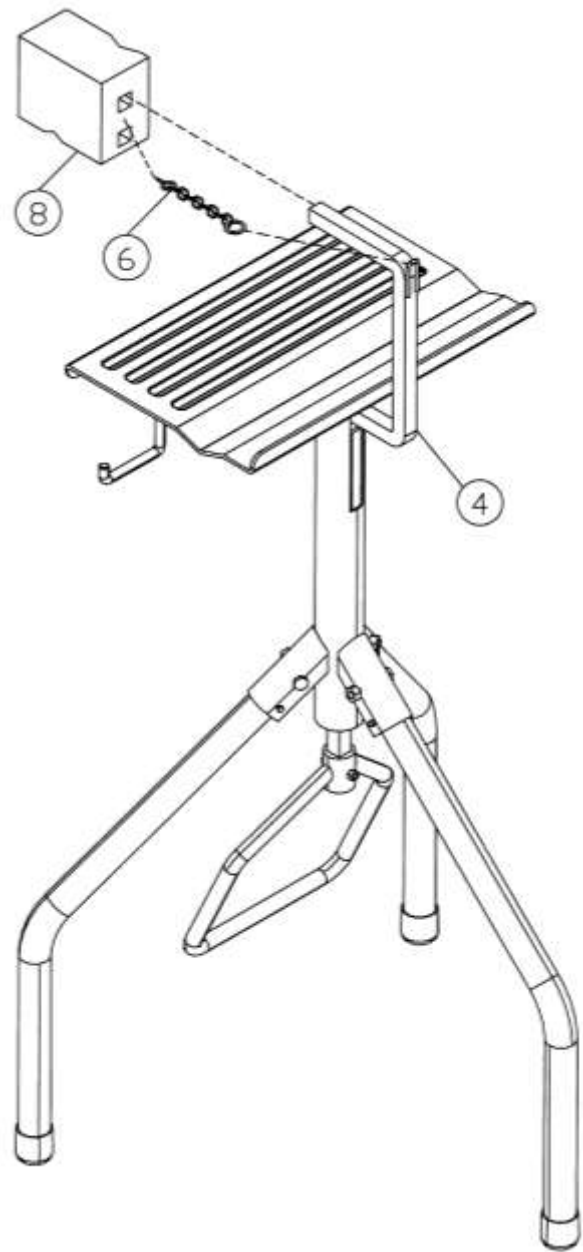
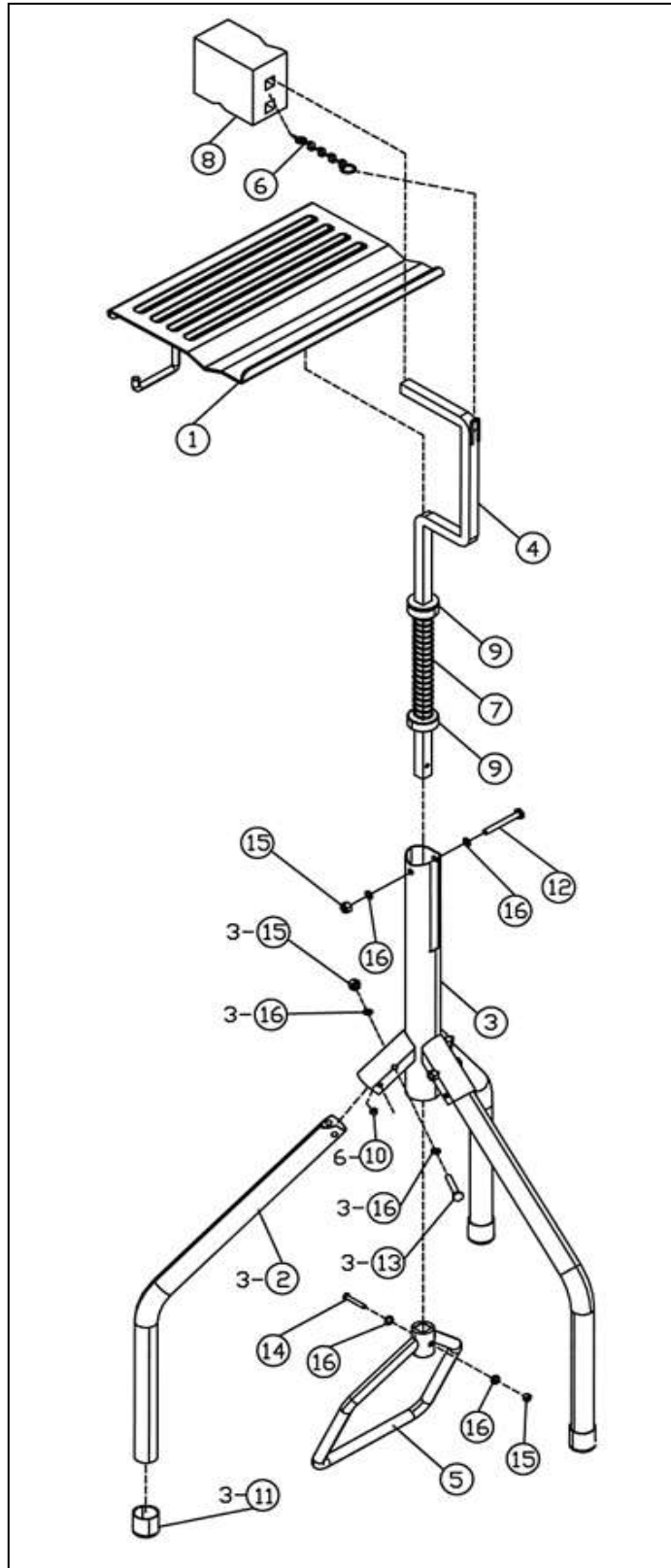


Figure 4

Connect the Adjustment Block #8 to the Clamping Rod #4.

NO. DESCRIPTION QUANTITY

1	Platform	1
2	Leg	3
3	Support Tube	1
4	Clamping Rod	1
5	Stirrup	1
6	Chain	1
7	Spring	1
8	Adjustment Block	1
9	Rubber Washer	2
10	Ø 3/8" Cap	6
11	Leg End Cap	3
12	M6 x 2" Bolt	1
13	M6 x 1 5/8" Bolt	3
14	M6 x 1 3/8" Bolt	1
15	Nut	5
16	Washer	10



Exploded Diagram

OPERATING INSTRUCTIONS

CONGRATULATIONS!!

You are now the proud owner of “The Ultimate Clamping Stand”. It has a thousand and one uses.

You can clamp virtually any size board, pipe, tool or piece of equipment up to 4½” thick while you saw, sand, drill, repair, glue and the list goes on.

It’s lightweight yet very sturdy, which makes it extremely versatile and portable.

The Adjustment Block is what gives “The Ultimate Clamping Stand” its tremendous versatility. Using the adjustment block correctly gives you more leverage, better balance and protects your hands and fingers.

To operate “The Ultimate Clamping Stand”, simply place a board, pipe or object on the platform. There are two square holes in the adjustment block. For a thin object place the arm of “The Ultimate Clamping Stand” in the top square hole. For a thicker object place the arm in the second square hole. If right handed place your left foot on the stirrup and press down letting your weight hold the object in place while you saw, drill, sand, repair, etc.

For large pipes, boards or objects, turn the adjustment block over and put the arm in the bottom hole of the adjustment block.

SAFETY: “The Ultimate Clamping Stand” allow you to clamp an object while keeping the heel of your foot firmly on the ground providing better balance. This allows you to keep both hands on a tool for better safety and protection.





The adjustment block makes “The Ultimate Clamping Stand” a great tool for arts and crafts or simply working with short or small objects.

Place the adjustment block under the arm of “The Ultimate Clamping Stand”. Place an object on top of the adjustment block under the clamping arm. Step on the stirrup. The object will now be held in place by the clamping arm while you saw, sand, drill, etc.

Trying to hold a short object while working on it can be quite dangerous. In the event you do have to hold an object with your hand, having the clamping arm and the adjustment block between your hand and the work being done will help protect you.



“The Ultimate Clamping Stand” is ideal for holding items in place while you make repairs around the house. The many uses of the Stand is only limited by your imagination



“The Ultimate Clamping Stand” is extremely versatile in that one can assemble projects. A spacer can help hold the items leveled. Once the item is in place, step on the stirrup and the adjustment block clamps the items in place while one glues, screws or nails the items together.



An entire project can be assembled using “The Ultimate Clamping Stand” and a little imagination.

Projects can be disassembled or repaired using the Stand.



“The Ultimate Clamping Stand” is great for holding tools and items for repair or being sharpened. Ideal for holding furniture for repairs and upholstery projects.



The tool hanger rod under the platform is convenient for hanging a tool while working on projects. **DO NOT MOVE OR RELOCATE** the stand while a tool is still on the tool hanger.

ALWAYS keep your foot on the stirrup when you have an object on the platform. **DO NOT** walk away and leave an object unattended as the Stand could tip over.

The legs of “The Ultimate Clamping Stand” fold up for easy transporting and storage plus the stand can be hung on a wall utilizing the ring on the back of the clamping arm.

IMPEX INC.

LIMITED WARRANTY

IMPEX Inc. ("IMPEX") warrants this product to be free from defects in workmanship and material, under normal use and service conditions, for a period of two years on the frame from the date of purchase. This warranty extends only to the original purchaser. IMPEX's obligation under this Warranty is limited to replacing or repairing, at IMPEX's option.

All returns must be pre-authorized by IMPEX. Pre-authorization may be obtained by calling IMPEX Customer Service Department at 1-800-999-8899. The customer must prepay all freights for products return to IMPEX. This warranty does not extend to any product or damage to a product caused by or attributable to freight damage, abuse, misuse, improper or abnormal usage or repairs not provided by an IMPEX authorized service center or for products used for commercial or rental purposes. No other warranty beyond that specifically set forth above is authorized by IMPEX.

IMPEX is not responsible or liable for indirect, special or consequential damages arising out of or in connection with the use or performance of the product or other damages with respect to any economic loss, loss of property, loss of revenues or profits, loss of enjoyments or use, costs of removal, installation or other consequential damages or whatsoever natures. Some states do not allow the exclusion or limitation of incidental or consequential damages. Accordingly, the above limitation may not apply to you.

The warranty extended hereunder is in lieu of any and all other warranties and any implied warranties of merchantability or fitness for a particular purpose is limited in its scope and duration to the terms set forth herein. Some states do not allow limitations on how long an implied warranty lasts. Accordingly, the above limitation may not apply to you.

This warranty gives you specific legal rights. You may also have other rights, which vary from state to state.

IMPEX INC.
14777 Don Julian
City of Industry, CA 91746

ORDERING REPLACEMENT PARTS

Replacement parts can be ordered by calling our Customer Service Department toll-free at **1-800-999-8899** during our regular business hours: Monday through Friday, 9 am until 5 pm Pacific standard time. **info@impex-fitness.com**

When ordering replacement parts, always give the following information.

- 1. Product Model #**
- 2. Description of Part**
- 3. Date of Purchase**